

IMPORTANT INFORMATION:

- A copy of our “Safe Operating Practices” Manuals are always available free of charge either by downloading it from our Technical Publications website @ www.airwinch.com or by contacting the Factory at (800) 866-5457 for North America and (206) 624-0466 for International. The Safe Operating Practices manual must be read prior to anyone operating a **Ingersoll-Rand** winch or hoist. The manual form numbers are as follows:

“Safe Operating Practices Non-Man Rider™ Winches” Manual, Form No. MHD56250

“Safe Operating Practices for Man Rider™ Winches” Manual, Form No. MHD56251

“Safe Operating Practices for Pneumatic, Hydraulic and Electric Hoists” Manual, Form No. MHD56295

- Available winch options may require additional supplements to the basic winch manual.
- For Man Rider™ winches ensure a copy of the Man Rider™ supplement is made available to the operator prior to winch operation.

Winch Man Rider™ Supplements:

Model:	Publication No.
FA2, FA2.5, FH2, FH2.5	MHD56046
FA5	MHD56042 and MHD56220
FA10	MHD56252
FA2.5A	MHD56236
FA2B and HU40A	MHD56207
FH10MR	MHD56212
Fulcrum Electric	MHD56277
LS500HLP/ LS1000HLP	SAM0004

Model:	Publication No.
LS500RLP	SAM0011
LS1000RLP	SAM0012
LS150RLP	SAM0082
LS150RLP/500/ 1000	SAM0115
LS150RLP and LS150PLP-PH	SAM0120
LS500RLP-E	SAM0122
LS150RLP- DP5M-F	SAM0184
LS150HLP	SAM0222

- We strongly recommend that ALL maintenance on **Ingersoll-Rand** equipment be carried out by personnel certified by **Ingersoll-Rand**, or by **Ingersoll-Rand** Authorized Service Centers.
- Contact the Factory if in doubt about installation, operation, inspection and maintenance instructions.
- Use only Genuine **Ingersoll-Rand** parts when maintaining or repairing a winch, hoist or any component of a winch or hoist.
- ANSI / ASME recommends that a winch or hoist (or any components of a winch or hoist) that has been repaired be tested prior to being placed into service:
 - * **Winches** - ANSI / ASME B30.7 (BASE MOUNTED DRUM HOISTS) Refer to section 7.2.2 - Testing.
 - * **Hoists** - ANSI / ASME B30.16 (OVERHEAD HOISTS - UNDERHUNG) Refer to section 16.2.2 - Testing.

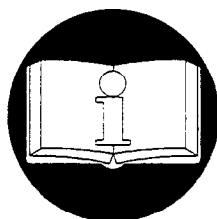
PARTS AND MAINTENANCE MANUAL FOR PALAIR PLUS AIR CHAIN HOIST MODELS

With standard load chain:

**PAL250K / PAL500K and PAL1000K
PAL250KV / PAL500KV and PAL1000KV**

With stainless steel chain (X):

**PAL250K / PAL310K and PAL630K
PAL250KV / PAL310KV and PAL630KV**



READ THIS MANUAL BEFORE USING THESE PRODUCTS. This manual contains important maintenance information. Make this manual available to all persons responsible for the maintenance of these products.

⚠ WARNING

Do not use this hoist for lifting, supporting, or transporting people or lifting or supporting loads over people.

Always operate, inspect and maintain this hoist in accordance with European Security Rules and any other applicable safety codes and regulations.

Refer all communications to the nearest INGERSOLL-RAND Material Handling Products Office or Distributor.

Form SAM0071
Edition 4
January 1997
96090263
©1997 INGERSOLL-RAND

INGERSOLL-RAND
MATERIAL HANDLING

TABLE OF CONTENTS

Description	Page No.
Maintenance	
Maintenance Intervals.....	3
General Disassembly	4
Disassembly Instructions.....	4
Air Gear Motors disassembly.....	5
Pendants Control disassembly.....	5
Cleaning, Inspection and Repair.....	5
Assembly Instructions	6
Air Gear Motors Assembly	7
Pendants Control Assembly.....	7
Pendant Control Adjustment.....	7
Parts	
Motor Assembly Drawing.....	8
Motor Assembly Parts List	9
Motor with emergency stop valve Assembly Drawing.....	10
Motor with emergency stop valve Assembly Part List.....	11
Motor with overload and emergency stop valve Assembly Drawing.....	12
Motor with overload and emergency stop valve Assembly Part List.....	13
Hoist Assembly Drawing.....	14
Hoist Assembly Parts List.....	15
Hook Assembly Drawing.....	16
Hook Assembly Parts List.....	17
PHS2 Remote Control Assembly Drawing.....	18
PHS2 Remote Control Assembly Parts List.....	19
PHS2U Remote Control with Emergency Stop Assembly Drawing.....	20
PHS2U Remote Control with Emergency Stop Assembly Parts List.....	21
Chain bucket Assembly Drawing and Parts List	22
Parts Ordering Information	
Warranty.....	23
Office Location	24

MAINTENANCE

⚠ WARNING

- Never perform maintenance on the hoist while it is supporting a load.
- Before performing maintenance, tag controls : **DANGER - DO NOT OPERATE - EQUIPMENT BEING REPAIRED.**
- Only allow service personnel trained in the operation and service of this hoist to perform maintenance.
- After performing any maintenance on the hoist, test hoist to 125% of its rated capacity before returning to service.
- Turn off air system and depressurize air lines before performing any maintenance.

INTERVAL	MAINTENANCE CHECKS
Start of each shift	Make a thorough visual inspection of the hoist for damage. Do not operate the hoist if damage found. Check the operation of the brake.
6 Months	Inspect the disc brake friction linings. Clean or replace parts as required. Lubricate brake spring washers.
Annually	Inspect the gearing, shafts, and bearings for damage or wear. Check all of the supporting members, including the trolley if used.

Disk Brake Adjustment

No brake adjustment is required.

NOTICE

- When any part of the brake disc thickness measures 0.098 in. (2.5 mm) or less, brake disc must be replaced.

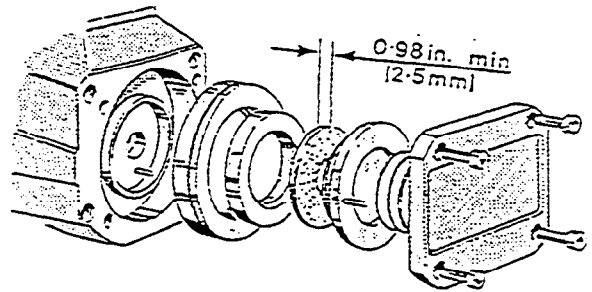
Brake Disc Replacement

To check or replace the brake friction disc (83) use the following procedure.

1. Loosen capscrews (78) one turn at a time progressively round the cover (77) until brake spring load is relaxed. Remove capscrews (78) holding cover to the brake cover (73).
2. Remove cover (77), spring washers (80) and brake disc (79).
3. Pull brake friction disc (83) from pinion (112).
4. Replace brake friction disc (83) so spline locates on pinion (112).
5. Install brake disc (79). Place spring washers (80) on brake disc starting with a dished surface toward the brake disc. Alternate spring washers (80) (dished up/dished down).
6. Align pin (82) in brake disc (79) with hole in cover (77) then install cover (77) and pull down evenly with capscrews (78).

⚠ CAUTION

- The brake will not operate properly if there is oil or grease on the brake disc.

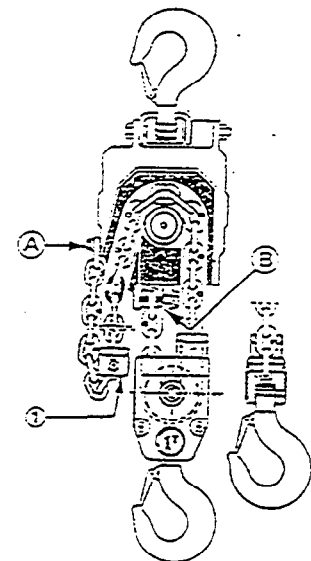


(Dwg. D6090011)

Chain Replacement

(Ref. Dwg. D6090009)

1. The hoist must be hung and connected to the air supply. Reduce air pressure to 60 psi (4 bar).
2. Remove chain bucket, if used.
3. Remove free end of chain from hoist body "A", if attached. Remove chain stop buffer (133) with buffer ring (134).
4. Run hoist slowly in the lifting direction until the chain free end is approximately 2 ft (60 cm) from the hoist.



(Dwg. D6090009)

5. Using a 'C' link which is the same size as the chain join the new chain to the old taking care that the weld on the "standing" links on the new chain are facing away from the hoist load sheave.
6. Run the hoist slowly until the new chain has passed 24 to 36 in. (60 to 90 cm) through the hoist.
7. Install buffer (152) or (133) with the buffer ring (134), on the hook fall of the load chain. The offset shoulder of the buffer must be toward the hose connection end of the hoist. The buffer actuates the top limit switch.

Single chain fall hoists.

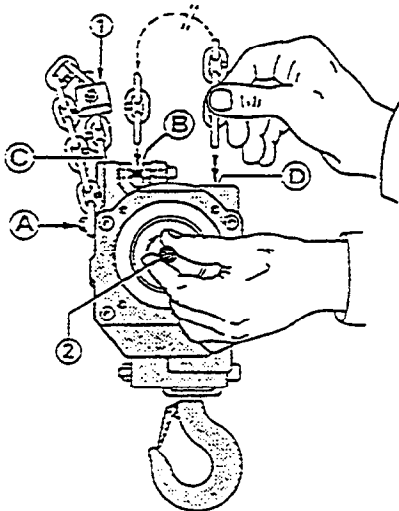
8. Remove retainer wire (130), hook ring (129) and hook anchor pin (128). Position the last link of the chain in the hook slot. Replace hook anchor pin (128), hook ring (129) and retainer wire (130).
9. Install buffer (133) with buffer ring (134) on opposite chain end so offset shoulder of buffer is facing the bottom of the hoist motor. Place buffer 6 in. (15 cm) from the chain end. This buffer activates the bottom limit switch.
10. Secure buffer (133) in position with capscrew (137) and nut (136).
11. Attach the last chain link to the hoist with capscrew (78) and washer (114).



- Check that the chain is not twisted.

Double chain fall hoists

12. Feed the chain end with a nylon string into the hook block (127). Take care that the "standing" links on the new chain are facing away from the hook block sheave.
13. Secure the last link on the chain to the hoist body with capscrew (117) and washer (116).



(Dwg. D6090010)

14. Secure the opposite end of the chain as previously described for the single chain fall hoists.

In the event that the chain has been completely removed from the hoist it will be necessary to remove the hoist brake. Refer to the instructions for "Brake Disc Replacement" (Ref. Dwg. D6090010).

Insert the first link in "D" so link is parallel to pinion (112). Ensure welded side of second chain link faces away from sprocket (107).

Rotate pinion (112) by hand to install chain until it appears at "C".



- Do not attempt to install the chain by powering the hoist.

Attach the chain at "A" after installing buffer (133). Reinstall the brake and complete chain installation as previously described.

General Disassembly

The following instructions provide the necessary information to disassemble, inspect, repair, and assemble the hoist. Parts drawings of the hoist assembly are provided in the Parts Section.

If a hoist is being completely disassembled for any reason, follow the order of the topics as they are presented.

It is recommended that all maintenance work on the hoist be performed on a bench in a clean dust free work area. In the process of disassembling the hoist, observe the following :

1. Never disassemble the hoist any further than is necessary to accomplish the needed repair. A good part can be damaged during the course of disassembly.
2. Never use excessive force when removing parts. Tapping gently around the perimeter of a cover or housing with a soft hammer, for example, is sufficient to break the seal.
3. Do not heat a part with a flame to free it for removal, unless the part being heated is already worn or damaged beyond repair and no additional damage will occur to other parts.
4. In general, the hoist is designed to permit easy disassembly and assembly. The use of heat or excessive force should not be required.
5. Keep the work area as clean as practical, to prevent dirt and other foreign matter from getting into bearings or other moving parts.
6. All seals and 'O'rings should be discarded once they have been removed. New seals and 'O'rings should be used when assembling the hoist.
7. When grasping a part in a vise, always use leather-covered or copper-covered vise jaws to protect the surface of the part and help prevent distortion. This is particularly true of threaded members, machined surfaces and housings.
8. Do not remove any part which is press fit in or on a subassembly unless the removal of that part is necessary for repairs or replacement.

Disassembly Instructions

(Ref. Dwg. D6090001)

1. Disconnect all hoses from hoist motor. Position hoist vertically so brake end is down. Remove the four capscrews and pry motor assembly from gear casing (61). Set motor assembly to one side for later disassembly. Pull coupling (110) from pinion (112).
2. Remove capscrews (6), pull out tubes (57) and screen (58) from gear casing (61). Reposition hoist in a vertical position so motor end is down.
3. Progressively loosen capscrews (78) in cover (77) one turn at a time each, until the brake spring load is relaxed.
4. Remove spring washers (80). Lift off brake disc (79) and brake friction disc (83).
5. Remove capscrews (115) and pry brake cover (73) and gasket (90) from gear casing (61). Lift off spring washer (88).
6. Pull piston (76) with 'O'rings (74) and (75) from brake cover (73).
7. Pry bearing (89) from planet support (64).
8. Set hoist in a horizontal position and from the motor end of the gear casing (61) carefully tap on the end of pinion (112) to remove planet assembly.
9. Remove retainer ring (85) and tap out pinion (112).

10. If planet assembly requires disassembly slide out planet axle (93) and separate planet gears (96), spacers (94) and bearings (92).
11. Remove ring gear (91) from gear casing (61).

NOTICE

• **Check that load chain has been removed before attempting to remove sprocket (107).**

12. Remove retainer ring (105) from the motor side and tap on sprocket from the brake end of gear casing (61) to drive out sprocket (107) and bearing (106) with ring (60).
13. Lift out ring gear (63) and bearing (62).
14. Remove retainer ring (105) from gear casing (61) bore and tap out bearing (106) with ring (60) from brake side.
15. Remove setscrew (118) from chain holder (97). Tap out pins (101), remove chain holder (97) with chain guide stop (98).
16. Remove screws (100) and washers (99) from chain holder (97).
17. Remove shafts (56) from gear casing (61) and slide out chain guide (59).

Air Gear Motor Disassembly

(Ref. Dwg. D6340003)

Refer to disassembly instructions to remove motor assembly from gear casing.

1. Remove capscrews (8).
2. Remove the motor cover (11). If necessary, remove retainer rings (39) and bearings (41), 'O'rings (38) and pins (43).
3. Remove the motor housing (46), spring (9), slide valve (44), stop (36), side valve (10) and quad-ring (42-48).
4. Immobilize the motor rotors with a rod between the teeth and remove nuts (3).
5. Remove the motor rotors (7, 45).
6. Remove the screw (6) and the washer (5).
7. Remove bearing (4).

Motor with emergency stop valve Disassembly

(Ref. Dwg. D6340002)

Refer to air gear motor disassembly to begin.

For emergency stop valve disassembly:

1. Remove screws (31).
2. Remove the cover (50) with the spring (52).
3. Remove 'O'ring (51) from the cover (50).
4. Remove screws (33-37-40).
5. Remove the cover (22).
6. Remove the diaphragm (24).
7. Immobilize the valve cone (25) by its hole with a rod in a orifice of the cover (11) and remove the screw (29).
8. Remove the valve cone (30-25) with the joint (26) and the distance ring (28) with the washer (27).

Motor with overload and emergency stop valve Disassembly

(Ref. Dwg. D6340001)

Refer to motor with emergency stop valve disassembly instructions to begin.

For overload valve disassembly:

1. Remove the screw (20) and the joint (19)
2. Remove screws (33-37-40).
3. Remove the cover (22).

4. Remove the valve cone assembly (18-16-21-17-2).
5. Remove the spring (23), the spring receiver (15) and the ball (14).
6. Remove the nut (12), the Usit-ring (13) and the screw (47).

PHS2 Pendant Control Disassembly

(Ref. Dwg. D6090018)

1. Remove the fittings (32) and the eyebolt (162).
2. Remove the retainer rings (173).
3. Pull out rear covers (172) with the 'O'ring (171).
4. Remove the springs (170).
5. Remove the slide valve (169) with the quad ring (168).
6. Remove the spring (167).
7. Remove the valve cone ass'y (166).
8. Remove the setscrew (164).
9. Tap out pin (165) to remove the levers (163).

PHS2U Pendant Control With Emergency Stop Disassembly

(Ref. Dwg. D6340012)

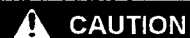
Refer to PHS 2 Control Disassembly to begin PHS 2U Disassembly

10. Remove the emergency button (188).
11. Remove the setscrews (185).
12. Remove the spools (187).
13. Pull out the shuttle valve stop (183) with ball (184).
14. Remove the 'O'ring (182) from shuttle valve stop (183) and spool (187).

Cleaning, Inspection and Repair

Use the following procedures to clean, inspect and repair the components of the hoist.

Cleaning



- **Bearings that are loose, worn or rotate in the frame must be replaced. Failure to observe this precaution will result in additional component damage.**
- **Do not use trichloroethylene to clean parts.**

Clean all hoist component parts in solvent (except for the brake disc). The use of a stiff bristle brush will facilitate the removal of accumulated dirt and sediments on the gears and frames. If bushings have been removed it may be necessary to carefully scrape old Loctite ® from the bearing bores. Dry each part using low pressure, filtered compressed air.

Inspection

All disassembled parts should be inspected to determine their fitness for continued use. Pay particular attention to the following :

1. Inspect all gears for worn, cracked, or broken teeth.
2. Inspect all bushings for wear, scoring, or galling.
3. Inspect shafts for ridges caused by wear. If ridges caused by wear are apparent on shafts, replace the shaft.
4. Inspect all threaded items and replace those having damaged threads.

5. Inspect the brake disc for oil and wipe clean as required. If the brake disc is glazed, sand it lightly using fine emery cloth.
6. Measure the thickness of the brake disc. If the brake disc is less than 0.098 in. (2.5 mm) replace the brake disc (83).
7. Check screen (58) and silencer (68) for damage or excessive dirt.

Repair

Actual repairs are limited to the removal of small burrs and other minor surface imperfections from gears and shafts. Use a fine stone or emery cloth for this work.

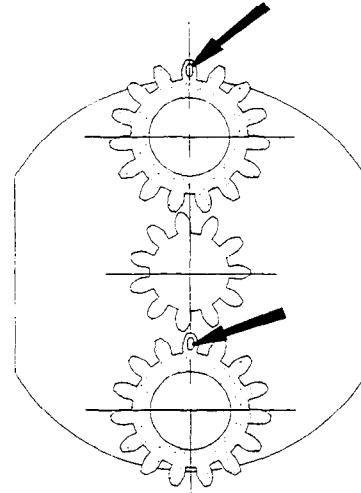
1. Worm or damaged parts must be replaced. Refer to the applicable Parts Listing for specific replacement parts information.
2. Inspect all remaining parts for evidence of damage. Replace or repair any part which is in questionable condition. The cost of the part is often minor in comparison with the cost of redoing the job.
3. Smooth out all nicks, burrs, or galled spots on shafts, bores, pins or bushings.
4. Examine all gear teeth carefully, and remove nicks or burrs.
5. Polish the edges of all shaft shoulders to remove small nicks which may have been caused during handling.
6. Remove all nicks and burrs caused by lockwashers.

Assembly instructions

(Ref. Dwg. D6090001)

1. Install retainer ring (105) tap bearing (106) with ring (60) from the motor side of gear casing (61). Extreme care is required during this operation to ensure bearing (106) remains square.
2. Install second bearing (106) with ring (60) on sprocket (107). Slide chain guide (59) into gear casing (61). Tap or press assembled sprocket (107) into gear casing (61) from the motor side.
3. At motor side, install bearing (111) with quad-ring (108) into sprocket (107) and retainer ring (105).
4. Install shafts (56) in gear casing (61). Jiggle chain guide (59) to aid installation.
5. Install the chain guide stop (98) on the chain holder (97) with the screws (100) and washer (99).
6. Position hoist vertically with the motor end down. Slide chain guide (98) with chain holder (97) into gear casing (61), install pins (101) and secure with setscrew (118).
7. Lubricate and install 'O'ring (95) in the groove on the outside of ring gear (63). Install ring gear (63) on spline of sprocket (107). Install bearing (62) on sprocket (107).
8. Install pinion (112), bearing (87) and retainer rings (85) and (86) in planet carrier (64).
9. Install load chain. Refer to chain installation procedures in the "MAINTENANCE" section.

10. Assemble planet assembly so planet gears (96) mesh with pinion (112). Position planet gears (96) so the 'O' marks engraved on the planet gears are in line. Ref. Dwg. D6090012.
11. Install assembled planet assembly with pinion (112) in gear casing (61).
12. Install ring gear (91) with notches outward.



(Dwg. D6090012)

13. Install bearing (89) on planet carrier (64).
14. Install gasket (90) on brake cover (73). Place spring washer (88) on bearing (89) so dished side is toward the bearing (89). Lubricate gear casing.
15. Lubricate 'O'rings (69) and 'U' cup seal (84) and install in brake cover (73). The lip of 'U' cup seal (84) must be toward the planet assembly. Add Silicone seal to gear casing surface and install brake cover (73) so pins (81) line up. Exercise caution during this operation to ensure 'O'rings (69) remain in position. Secure brake cover (73) in position with capscrews (115).
16. Lubricate and install 'O'rings (74) and (75) on piston (76). Install piston (76) in brake cover (73).
17. Install brake friction disc (83) and brake disc (79).
18. Install springs (80) on brake disc (79) starting with a dished surface toward the brake disc. Alternate springs (80) (dished up/dished down).
19. Align pin (82) in brake disc (79) with hole in cover (77) then install cover (77) and pull down evenly with capscrews (78).
20. Position hoist vertically with the brake end down. Set screen (58) in motor side of gear casing (61) and loosely secure with capscrews (6). Install tubes (57) through screen (58) until they are fully seated. Tighten capscrews (6). Install coupling (110) on pinion (112).
21. Install motor assembly and secure with capscrews (33).
22. Install silencer (68) in gear casing (61) with capscrew (67).

NOTICE

Maintenance of the planet gear assembly should be limited to general cleaning and greasing of the planet gears (96) and bearings (92). If the planet gear assembly was removed during hoist disassembly it will be necessary to line up the timing marks on the planet gears correctly.

Motor

If the motor assembly has been removed for disassembly, inspection or repair it is necessary that it be reassembled into casing (61) using a good quality silicone seal between the casing (61) and motor mounting flange. The silicone seal must be allowed to cure for 3 hours before attempting to pressurize the motor.

Air Gear Motor Assembly

(Ref. Dwg. D6340003)

1. Lubricate bearings (4) with grade 2 grease then install bearings in motor flange (1). Ensure markings on bearing cage are still visible after installation.
2. Install screw (6) with washer (5).
3. Install motor rotors (45-7) and retainer ring (39) with the part of the bearing (41).
4. Immobilize the motor rotors with a rod between the teeth and install nuts (3). Lightly coat nut threads with Loctite ® 234.
5. Install motor housing (46) with 'O'ring (2) on motor flange (1).
6. Install slide valve (44), springs (9), slide valve (10) with quad-ring (48), quad-rings (42) and 'O'ring (38) in motor housing (46) and stop in cover (11).
7. Install bearing (41) and stop (36) in motor cover (11). Install motor cover on motor housing (46). Ensure pins (43) are fully aligned and engaged. Secure with capscrews (8). Lightly coat capscrew threads with Loctite ® 234.

Air Gear Motor with emergency stop valve

(Ref. Dwg. D6340002)

Refer to air gear motor assembly instructions to begin.

For mounting emergency stop valve:

1. Install the valve cone (30) with the joint (26), the washer (27) and the distance ring (28) on the screw (29), put the assembly in the cover (11).
2. Install and immobilize the valve cone (25) by its hole with a rod in a orifice of the cover (11) and secure the screw (29).
3. Install the diaphragm (24).
4. Install the cover (22) and secure with screws (33-37-40)
5. Install the cover (50) with the 'O'ring (51) and the spring (52). Secure with screws (31).

Air Gear Motor with overload and emergency stop valve.

(Ref. Dwg. D6340001)

Refer to air gear motor assembly instructions to begin.

For mounting overload and emergency stop valve:

1. Install the valve cone (30) with the joint (26), the washer (27) and the distance ring (28) on the screw (29), put the assembly in the cover (11).
2. Install and immobilize the valve cone (25) by its hole with a rod in a orifice of the cover (11) and secure the screw (29).
3. Install the diaphragm (24).
4. Install the ball (14), the receiver spring (15) and the spring (23).
5. Install valve cone assembly (18-21-16-17-2)
6. Install the cover (22) and secure with screws (33-37-40).
7. Install the joint (19) and the screw (20) in the cover (22).
8. Install the cover (50) with the 'O'ring (51) and the spring (52). Secure with screws (31).
9. Install the screw (47), the Usit-ring (13) and the nut stop (12).

PHS2 Pendant Control Assembly

(Ref. Dwg. D6090018)

1. Install levers (163) in pendant handle with pin (165). Stake pin in pendant handle at both ends to secure.
2. Install setscrews (164).
3. Check that 'O'ring is undamaged and securely crimped in valve cone. Install valve cone assemblies (166).
4. Install springs (167).
5. Check that 'O'ring is undamaged and securely crimped in slide valves. Install quad ring (168) and slide valve ass'y (169).
6. Install springs (170).
7. Lubricate and install 'O'ring (171) on rear cover (172). Install rear cover in pendant handle.
8. Install retainer ring (173).

PHS2U Pendant Control With Emergency Stop Assembly

(Ref. Dwg. D6340012)

Refer to PHS2 control assembly to begin PHS2U assembly.

9. Install 'O'ring (182) on shuttle valve stop (183) and spool (187).
10. Install that shuttle valve stop (183) with ball (184); those spool (187) in the pendant handle (181) and secure with setscrews (185).
11. Install the emergency bottom (188).
12. Install the eyebolt (162) and the fitting (32).

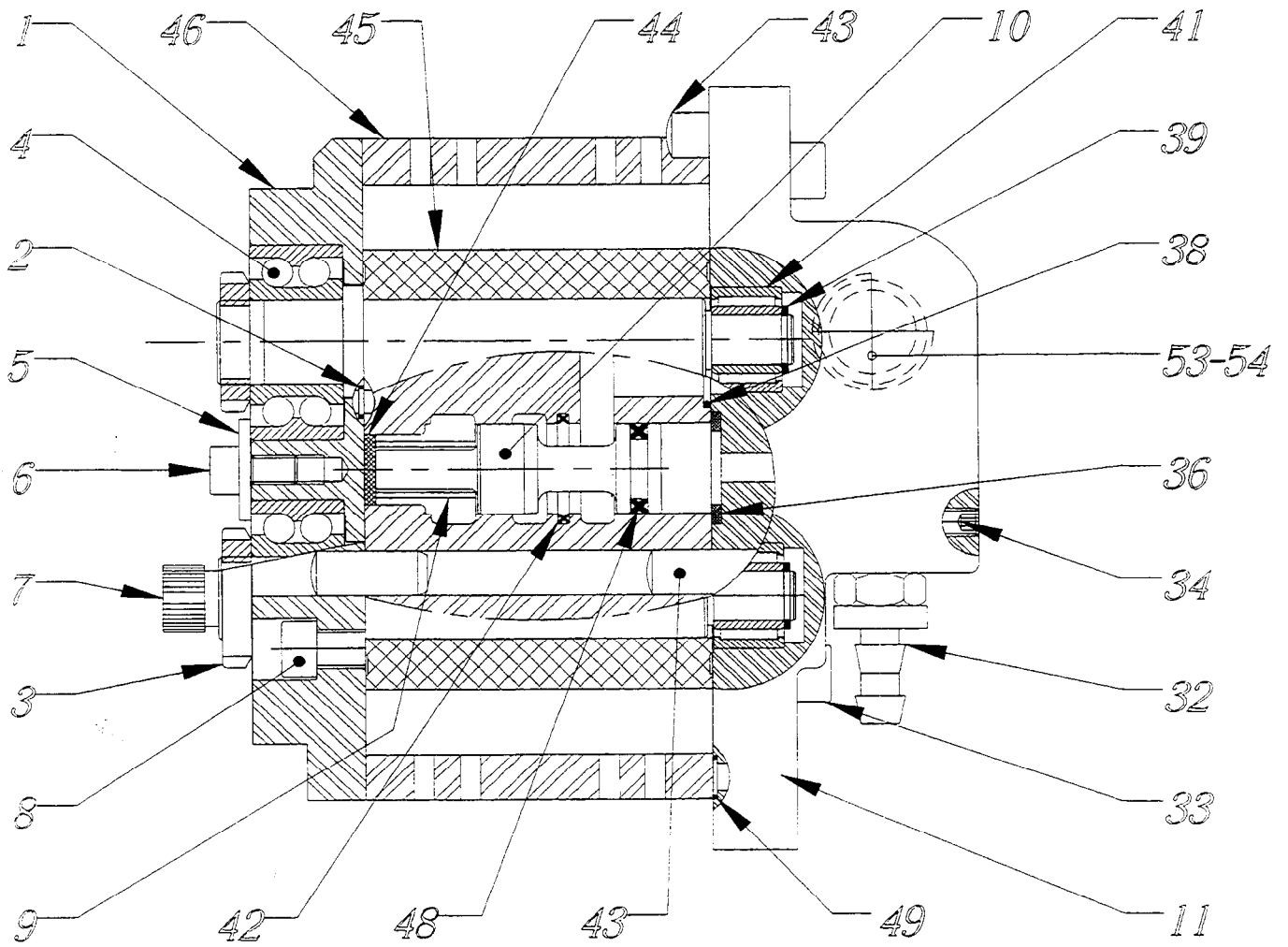
Pendant Control Adjustment :

1. Connect the inlet of the pendant to 100 psi (7 bar) air supply.
2. Connect a manometer at the outlet of the lever to be adjusted.
3. Apply a small amount of Loctite ® 243 on the adjustment setscrew (164).
4. Tighten the adjustment setscrew to obtain a pressure of 15 psi (1 bar) without actioning the lever.
5. Release the adjustment setscrew by a half turn (pressure must fall to zero).
6. Push the lever. Check that pressure reaches 93 +/- 7 psi (6.5 +/- 0.5 bar). Check that there is no leak at the exhaust.
7. Release the lever, exhaust must occur and result in rapid pressure reduction.
8. Repeat operations "6 and 7" from 2 to 3 times.
9. Disconnect the manometer. Check to ensure that there are no leaks when the lever is not activated.
10. Repeat the operations from 2 to 9 with each lever.

Hook Assemblies

If the hook assemblies have been disassembled for inspection or repair attention is required on reassembly to ensure that all ten balls (131) are installed and retained with washer (132) and hook ring (129) for single fall bottom hook, or retainer wire (130) for double fall bottom hook.

MOTOR ASSEMBLY DRAWING



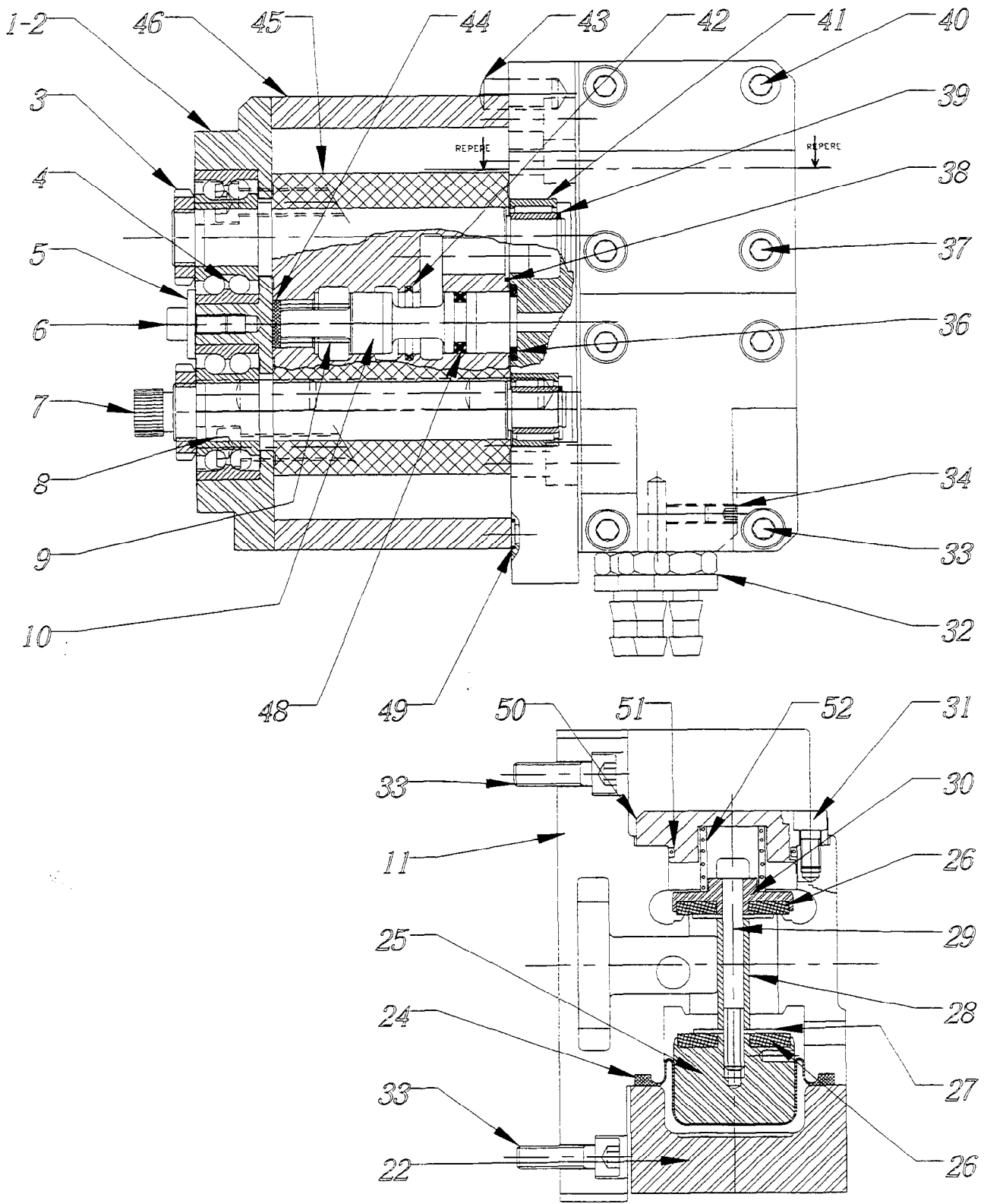
(Dwg: D6340003)

MOTOR ASSEMBLY PART LIST

ITEM NO.	DESCRIPTION OF PART	QTY TOTAL	PART NO.
1	Motor Flange	1	9609-0008
• 2	O Ring	2	5822-2329
3	Locknut	2	5700-0002
4	Ball Bearing	2	5060-0002
5	Washer	1	9609-0032
6	Screw	1	4130-6706
7	Driving Gear	1	9609-0031
8	Screw	4	4130-0806
9	Spring	2	9424-0224
10	Slide Valve	2	9424-0212
11	Motor Cover	1	9609-0079
32	Fitting	3	6165-2632
33	Screw	4	4131-2206
34	Screw	1	4200-7707
36	Stop	2	9609-0042
• 38	O Ring	2	5820-5029
39	Retainer Ring	2	4780-1339
41	Needle Bearing	2	5646-1912
• 42	Quad-ring	2	5823-1229
43	Pin	6	4600-0416
44	Slide Valve	2	9412-0030
45	Idle Gear	1	9609-0030
46	Motor Housing	1	9609-0007
• 48	Quad-ring	2	5822-8929
• 49	O Ring	2	5821-2229
53	Filter	1	6190-9028
• 54	Retainer Ring	1	4770-3018
55	Motor Ass'y (incl's item 1 through 54)	1	7609-0206

• Recommended Spare.

MOTOR WITH EMERGENCY STOP VALVE ASSEMBLY DRAWING



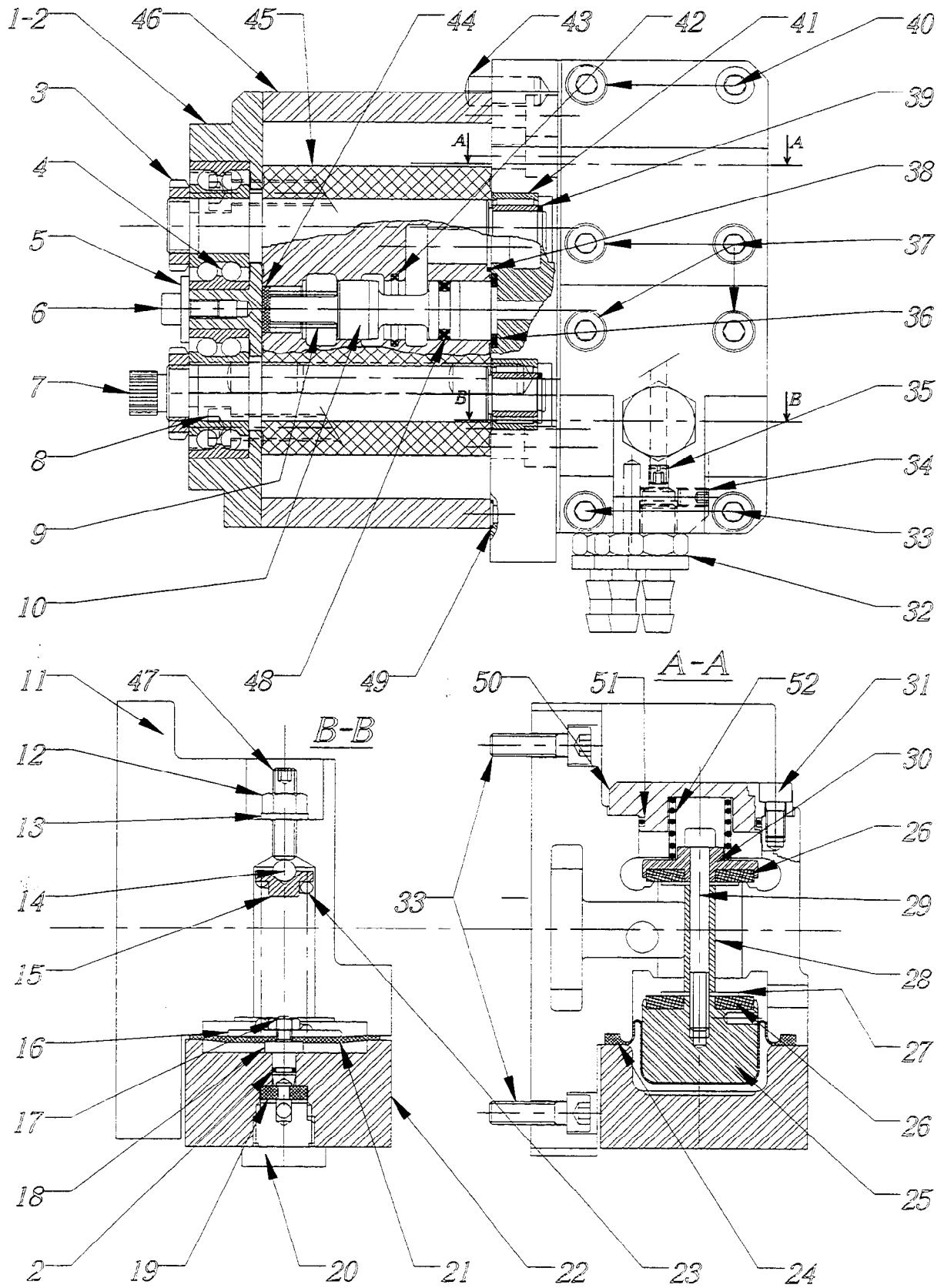
(Dwg: D6340002)

MOTOR WITH EMERGENCY STOP VALVE ASSEMBLY PART LIST

ITEM NO.	DESCRIPTION OF PART	QTY TOTAL	PART NO.
1	Motor Flange	1	9609-0008
• 2	O' Ring	3	5822-2329
3	Locknut	2	5700-0002
4	Ball Bearing	2	5060-0002
5	Washer	1	9609-0032
6	Screw	1	4130-6706
7	Driving Gear	1	9609-0031
8	Screw	4	4130-0806
9	Spring	2	9424-0224
10	Slide Valve	2	9424-0212
11	Motor Cover	1	9609-0270
22	Cover	1	9609-0271
• 24	Diaphragm	1	6771-6341
25	Clapet	1	9617-0054
• 26	Joint	2	9617-0056
27	Washer	2	4570-0005
28	Spacer	1	9617-0055
29	Screw	1	4130-8206
30	Clapet	1	9617-0053
31	Screw	3	4132-6306
32	Fitting	5	6165-2632
33	Screw	6	4132-2206
34	Screw	1	4200-8307
36	Stop	2	9609-0042
37	Screw	4	4132-2306
• 38	O' Ring	2	5820-5029
39	Retainer Ring	2	4780-1339
40	Screw	2	4132-4306
41	Needle Bearing	2	5646-1912
• 42	Quad-ring	2	5823-1229
43	Pin	6	4600-0416
44	Slide Valve	2	9412-0030
45	Idle Gear	1	9609-0030
46	Motor Housing	1	9609-0007
• 48	Quad-ring	2	5822-8929
• 49	O' Ring	2	5821-2229
50	Cover	1	9617-0059
• 51	O' Ring	1	5821-4829
52	Spring	1	6915-8732
55	Motor with emergency stop valve ass'y (incl's item 1 through 52)	1	7609-0430

• Recommended Spare.

MOTOR WITH OVERLOAD AND EMERGENCY STOP VALVE ASSEMBLY DRAWING



(Dwg: D6340001)

MOTOR WITH OVERLOAD AND EMERGENCY STOP VALVE ASSEMBLY PART LIST

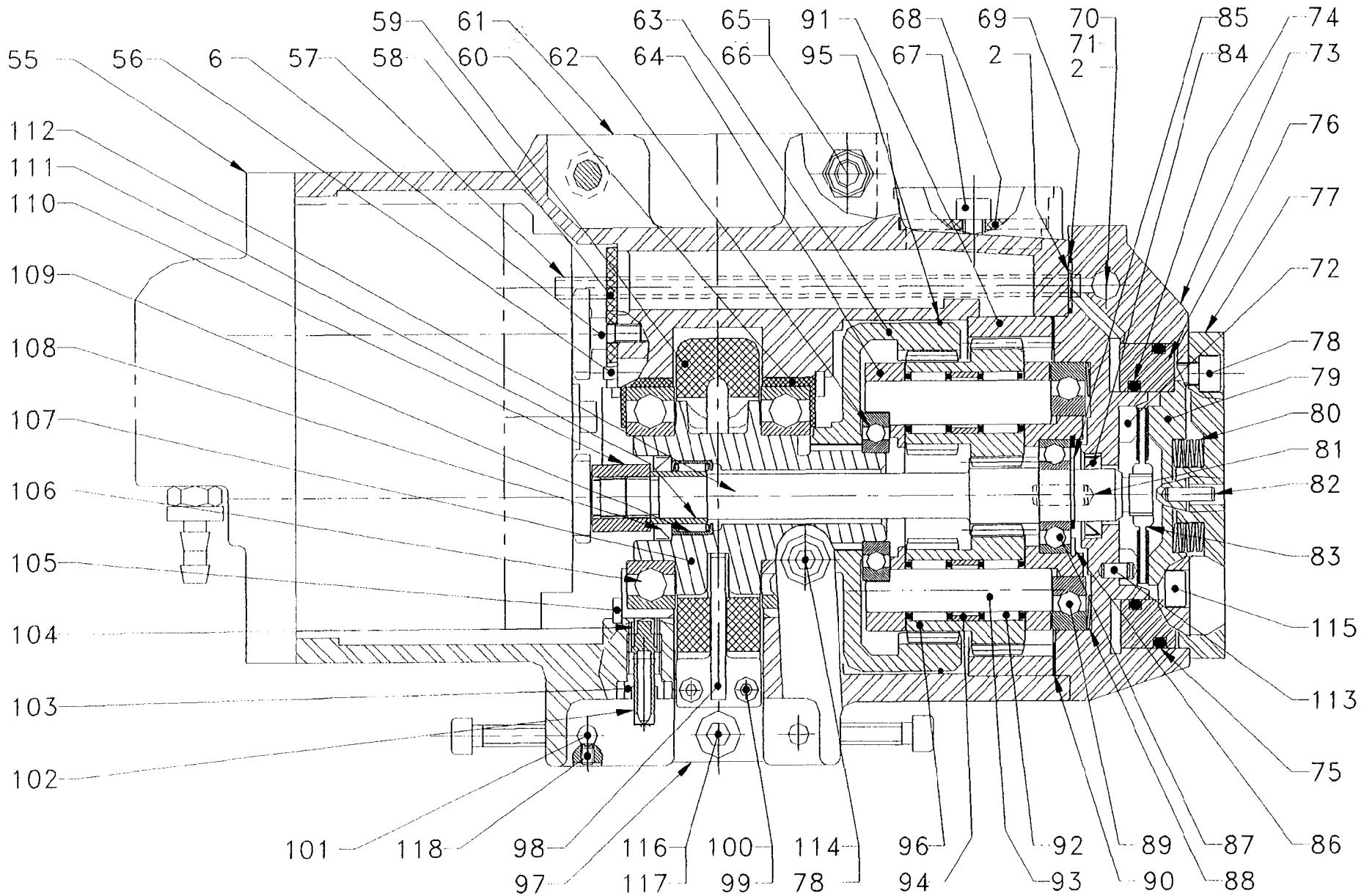
ITEM NO.	DESCRIPTION OF PART	QTY TOTAL	PART NO.
1	Motor Flange	1	9609-0008
• 2	'O' Ring	3	5822-2329
3	Locknut	2	5700-0002
4	Ball Bearing	2	5060-0002
5	Washer	1	9609-0032
6	Screw	1	4130-6706
7	Driving Gear	1	9609-0031
8	Screw	4	4130-0806
9	Spring	2	9424-0224
10	Slide Valve	2	9424-0212
11	Motor Cover	1	9609-0266
12	Nut Stop	1	4370-7611
13	Usit-ring	1	5840-4531
14	Ball	1	6940-0125
15	Spring Receiver	1	9636-0023
16	Washer	1	9636-0019
17	Nut	1	4300-1111
18	Clapet	1	9636-0017
• 19	Joint	1	9636-0021
20	Screw	1	9609-0269
21	Diaphragm	1	9636-0020
22	Cover	1	9609-0267
23	Spring	1	6915-9432
• 24	Diaphragm	1	6771-6341
25	Clapet	1	9617-0054
• 26	Joint	2	9617-0056
27	Washer	2	4570-0005

ITEM NO.	DESCRIPTION OF PART	QTY TOTAL	PART NO.
28	Spacer	1	9617-0055
29	Screw	1	4130-8206
30	Clapet	1	9617-0053
31	Screw	3	4132-6306
32	Fitting	5	6165-2632
33	Screw	6	4132-2206
34	Screw	1	4200-8307
35	Nozzle	1	9617-0071
36	Stop	2	9609-0042
37	Screw	4	4132-2306
• 38	'O' Ring	2	5820-5029
39	Retainer Ring	2	4780-1339
40	Screw	2	4132-4306
41	Needle Bearing	2	5646-1912
• 42	Quad-ring	2	5823-1229
43	Pin	6	4600-0416
44	Slide Valve	2	9412-0030
45	Idle Gear	1	9609-0030
46	Motor Housing	1	9609-0007
47	Screw	1	4200-7107
• 48	Quad-ring	2	5822-3929
• 49	'O' Ring	2	5821-2229
50	Cover	1	9617-0059
• 51	'O' Ring	1	5821-4829
52	Spring	1	6915-8732
55	motor with overload and	1	7609-0429
*	emergency stop valve ass'y		

• Recommended Spare.

* incl's item (1) through (52)

HOIST ASSEMBLY DRAWING



(Dwg. D6090001)

HOIST ASSEMBLY PART LIST

ITEM NO.	DESCRIPTION OF PART	QTY TOTAL	PART NO.
* 2	O Ring	4	5821-2229
6	Screw	2	4130-6706
55	Motor	1	7609-0206
	With emergency stop valve	1	7609-0430
	With overload and stop valve	1	7609-0429
56	Idle gear	2	9609-0040
57	Tube	2	9609-0055
* 58	Screen	1	9609-0057
59	Chain guide	1	9609-0019
60	Ring	2	9609-0076
61	Casing	1	9609-0002
62	Bearing	1	5080-0005
63	Ring gear (standard)	1	9609-0094
	Ring gear (high Precision)		9609-0037
64	Planet Support	1	9609-0014
65	Screw	2	4131-9606
66	Nut	2	4370-2311
67	Screw	1	4130-0106
* 68	Silencer	1	9609-0056
* 69	O Ring	1	5823-1729
70	Shuttle valve stop	1	9609-0223
71	Ball	1	6940-1625
* 72	Brake disc	1	9609-0047
73	Brake cover	1	9609-0226
* 74	O Ring	1	5825-2229
* 75	O Ring	1	5823-2329
76	Piston	1	9609-0113
77	Cover	1	9609-0005
78	Screw	5	4130-0206
* 79	Brake disc	1	9609-0046
80	Spring washer	7	6916-0532
81	Pin	1	4600-1716
82	Pin	1	4640-6118
* 83	Brake friction disc	1	9609-0049
* 84	Quad-ring	1	5801-9830
85	Retainer Ring	1	4770-0015

ITEM NO.	DESCRIPTION OF PART	QTY TOTAL	PART NO.
86	Retainer Ring	1	4770-3032
87	Ball Bearing	1	5000-0002
88	Spring washer	1	6916-0432
89	Ball Bearing	1	5080-0009
90	Gasket	1	9609-0041
91	Ring gear	1	9609-0038
92	Bearing (Standard)	4	5650-1513
	Bearing (High Precision)	4	5650-1613
93	Planet Pin	2	9609-0039
94	Spacer (Standard)	2	9609-0095
	Spacer (High Precision)	2	9609-0026
* 95	O Ring	1	5821-6129
96	Planet gear (Standard)	1 set	3609-0129
	Planet gear (High Precision)	1 set	3609-0130
97	Chain Holder	1	9609-0013
98	Chain guide stop	1	9609-0020
99	Washer	2	4520-0004
100	Screw	2	4131-3606
101	Pin	2	9609-0027
102	Limit switch	2	9609-0051
* 103	Limit switch body	2	9609-0050
104	Spring	2	6916-0332
105	Retainer ring	2	4770-3067
106	Bearing	2	5005-0007
107	Sprocket	1	9609-0009
* 108	Quad-ring	1	5801-9830
109	Bearing	1	5632-1512
110	Coupling	1	9609-0034
111	Bearing	1	5636-2432
112	Pinion	1	9609-0035
113	Pin	1	4640-4618
114	Washer	1	4500-0106
115	Screw	4	4131-4906
116	Washer	1	4520-0008
117	Screw	1	9609-0098
118	Setscrew	2	4200-7007

Hoist Assembly with Option "R".

Substitute or add the following parts on hoist with option "R"

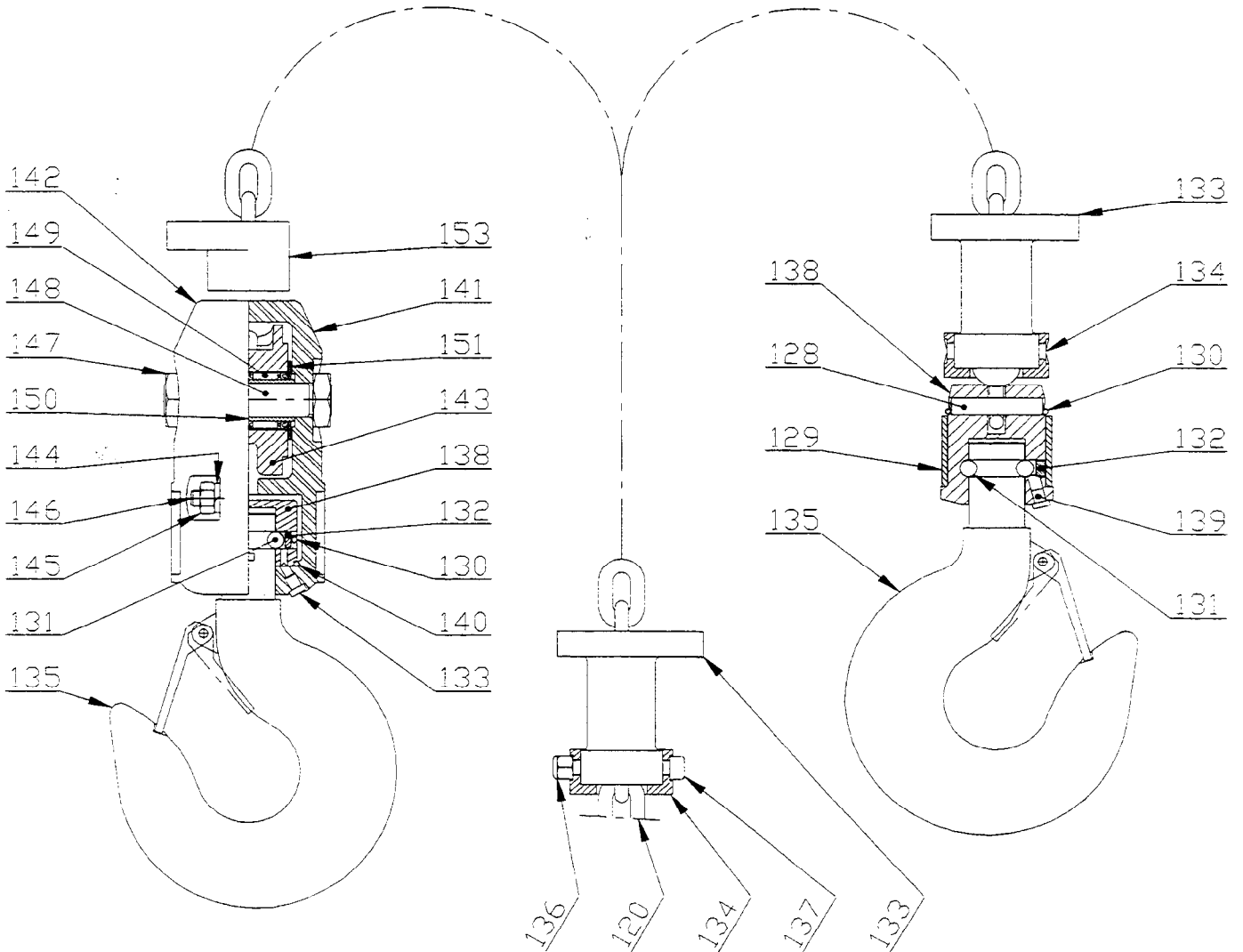
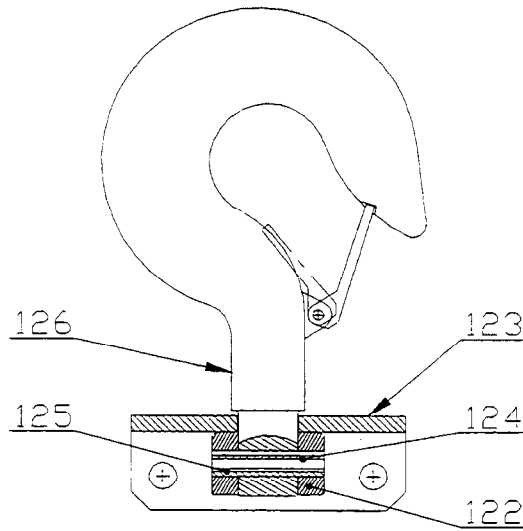
65	Screw	2	4132-7206
66	Screw	3	4370-7011
67	Screw	1	4132-1406
78	Screw	5	4132-2606
97	Chain Holder	1	9609-0145
99	Washer	2	4520-1004

100	Screw	1	4131-6506
114	Washer	1	4500-1108
115	Screw	4	4132-7406
116	Washer	1	4520-1008
117	Screw	1	9609-0138

* Recommended Spare.

HOOK ASSEMBLY DRAWING

**PAL250K to PAL1000K
Top Hook Assembly**



**PAL630 / PAL980K & PAL1000K
Bottom Hook Assembly**

**PAL250K / PAL310K & PAL500K
Bottom Hook Assembly**

HOOK ASSEMBLY PARTS LIST

ITEM NO.	DESCRIPTION OF PART	QTY TOTAL	PART NO.			
			0,25T to 0,5T standard option "R"		0,98T to 1T (2 falls) standard option "R"	
120	Zinc Plated load chain (Std) Corrosion Traited load chain (Opt.N)	(meter)	6908-7932 6909-1332			
121	Top hook Assembly (incl's items 122 through 126)	1	7634-0005	7634-0033	7634-0005	7634-0033
122	Hook Ring	1	9634-0003	9634-0060	9634-0003	9634-0060
123	Support Plate	1	9609-0022	9609-0141	9609-0022	9609-0141
124	Roll Pin	1	4650-1020			
125	Roll Pin	1	4650-7720			
126	Top hook with Latch assembly	1	9634-0002	9634-0059	9634-0002	9634-0059
127	Bottom Hook Assembly (*)	1	3609-0284	3609-0213	3609-0285	3609-0212
128	Pin	1	4600-1616			
129	Hook Ring	1	9609-0025	9609-0146		
130	Retainer Wire	1	4790-1239	9609-0148	4790-1239	9609-0148
131	Ball	10	6940-1125			
132	Washer	1	9609-0060		9609-0024	
133	Buffer	(..)	9609-0121 (2)		9609-0121 (1)	
134	Buffer Ring	(..)	9609-0207 (2)	9609-0222 (2)	9609-0207 (1)	9609-0222 (1)
135	Bottom Hook with Latch Assembly	1	9609-0083	9609-0139	9609-0083	9609-0139
136	Nut	1	4370-5011	4370-7211	4370-5011	4370-7211
137	Screw	1	4130-8106	4132-6006	4130-8106	4132-6006
138	Hook Support	1	9609-0011	9609-0143	9609-0012	
139	Greaser	1	6710-2627			
• 140	O Ring	1	5821-6029			
141	Block Flange	1	9609-0276			
142	Block Flange	1	9609-0006			
143	Block Wheel	1			9609-0010	9609-0142
144	Washer	2			4520-0006	4520-1006
145	Nut	2			4300-0711	4300-6211
146	Screw	2			4130-0406	4132-2306
147	Nut	2			4320-0112	4320-2212
148	Wheel Axle	1			9609-0052	9609-0125
• 149	Needle Roller Bearing	2	5632-2115			
• 150	Inner Ring	2	5636-2432			
• 151	Thrust Washer	2	5730-8632			
152	Buffer	1	9609-0018			

Hoist Assembly with Option "X".

Substitute or add the following parts on hoist with option "X"

		QTY	0,25T	0,315T	0,63T
120	Load Chain	(meter)	6909-8032		

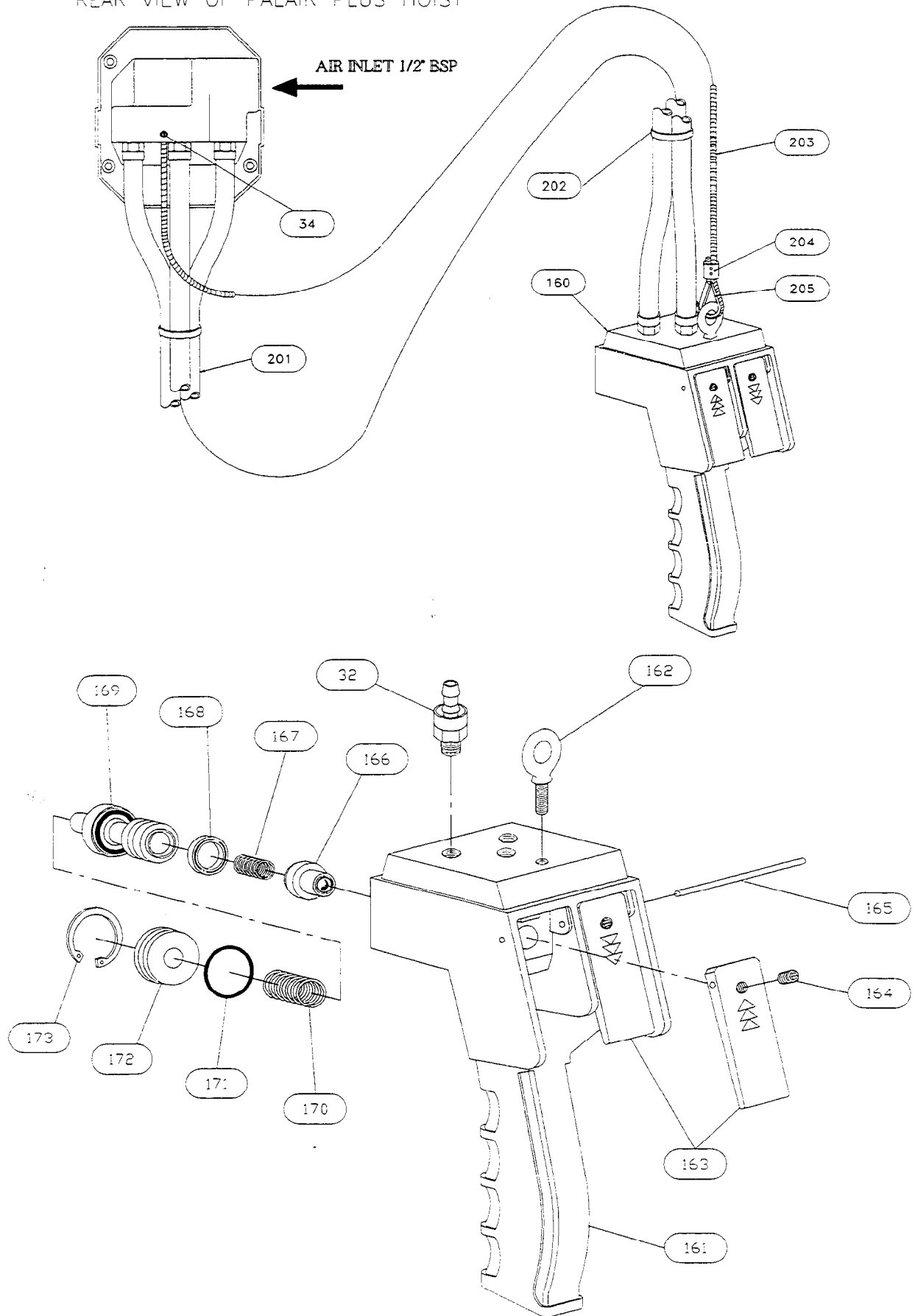
• Recommended Spare.

(*) Bottom Hook Equipment for 0,25 to 0,5 Ton hoist (incl's item 128 through 139)

Bottom Hook Equipment for 0,63 to 1 Ton (incl's item 130 through 152)

REMOTE CONTROL ASSEMBLY DRAWING

REAR VIEW OF PALAIR PLUS HOIST



REMOTE CONTROL ASSEMBLY PART LIST

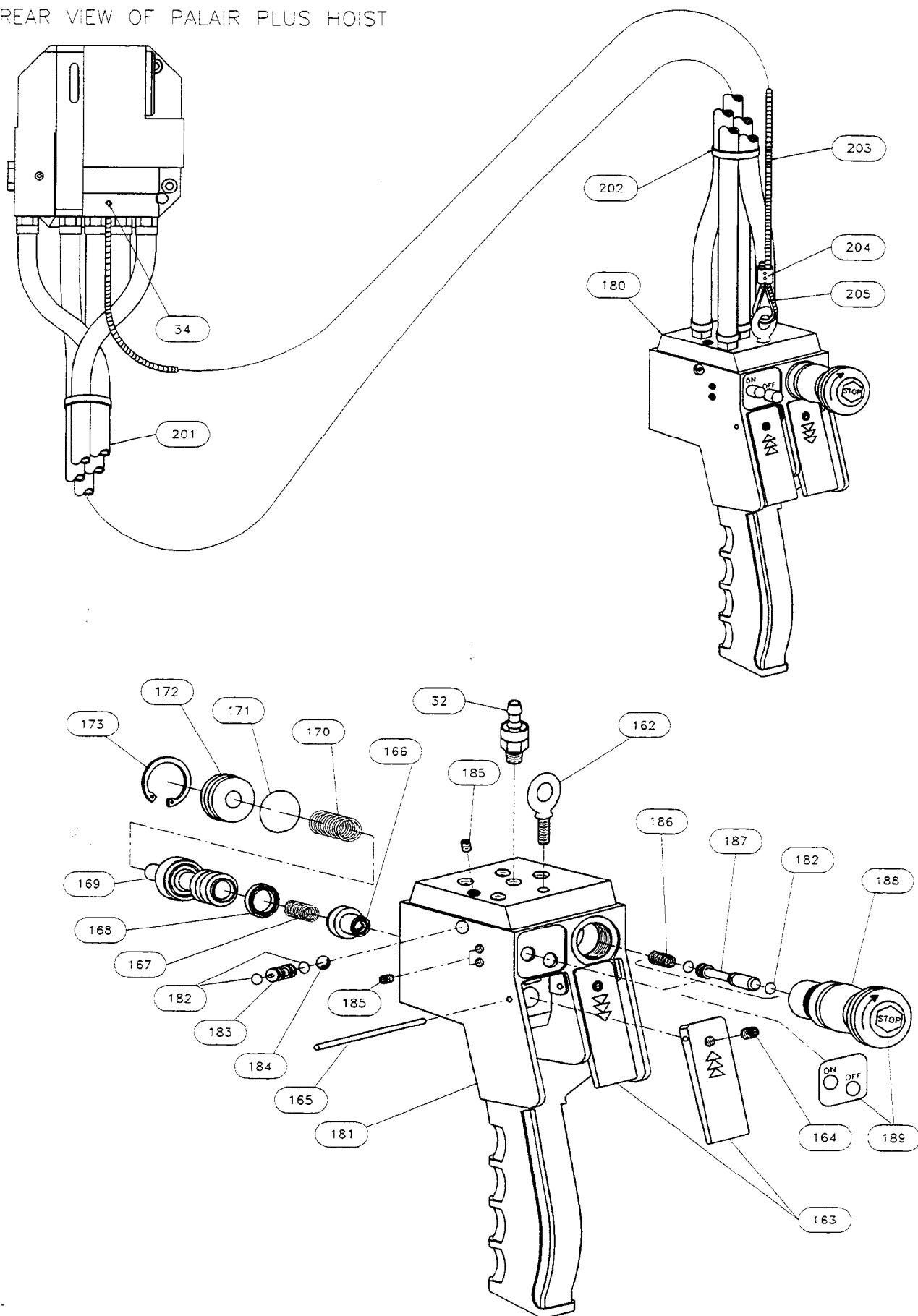
ITEM NO.	DESCRIPTION OF PART	QTY TOTAL	PART NO.
34	Setscrew	1	4200-7707
32	Fitting	3	6165-2632
160	Pendant Assembly (incl's item 32 and 161 through 173)	1	7579-0038
161	Pendant Handle	1	9579-0034
162	Lifting Eye	1	6422-2332
163	Lever	2	9579-0038
164	Setscrew	2	4200-7407
165	Pin	1	9579-0040
166	Valve Assembly (with 'O' Ring crimped)	2	9579-0036
167	Spring	2	6915-8632
• 168	Quad Ring	2	5823-0329
169	Spool (with 'O' Ring crimped)	2	9579-0035
170	Spring	2	6915-8732
• 171	'O' Ring	2	5820-3729
172	Rear Cover	2	9579-0037
173	Retainer Ring	2	4770-3028
200	Meter of Control (incl's item 201 through 203)	(*)	3387-0031
201	Hose	3	-
202	Hose Tie	2 / m	-
203	Strain Relief Wire	1	-
204	Sleeve Clamp	1	6112-5032
205	Thimble	1	6932-5332

• Recommended Spare.

(*) Specify length of control when ordering

REMOTE CONTROL ASSEMBLY DRAWING

REAR VIEW OF PALAIR PLUS HOIST



(Dwg.D6340012)

REMOTE CONTROL ASSEMBLY PART LIST

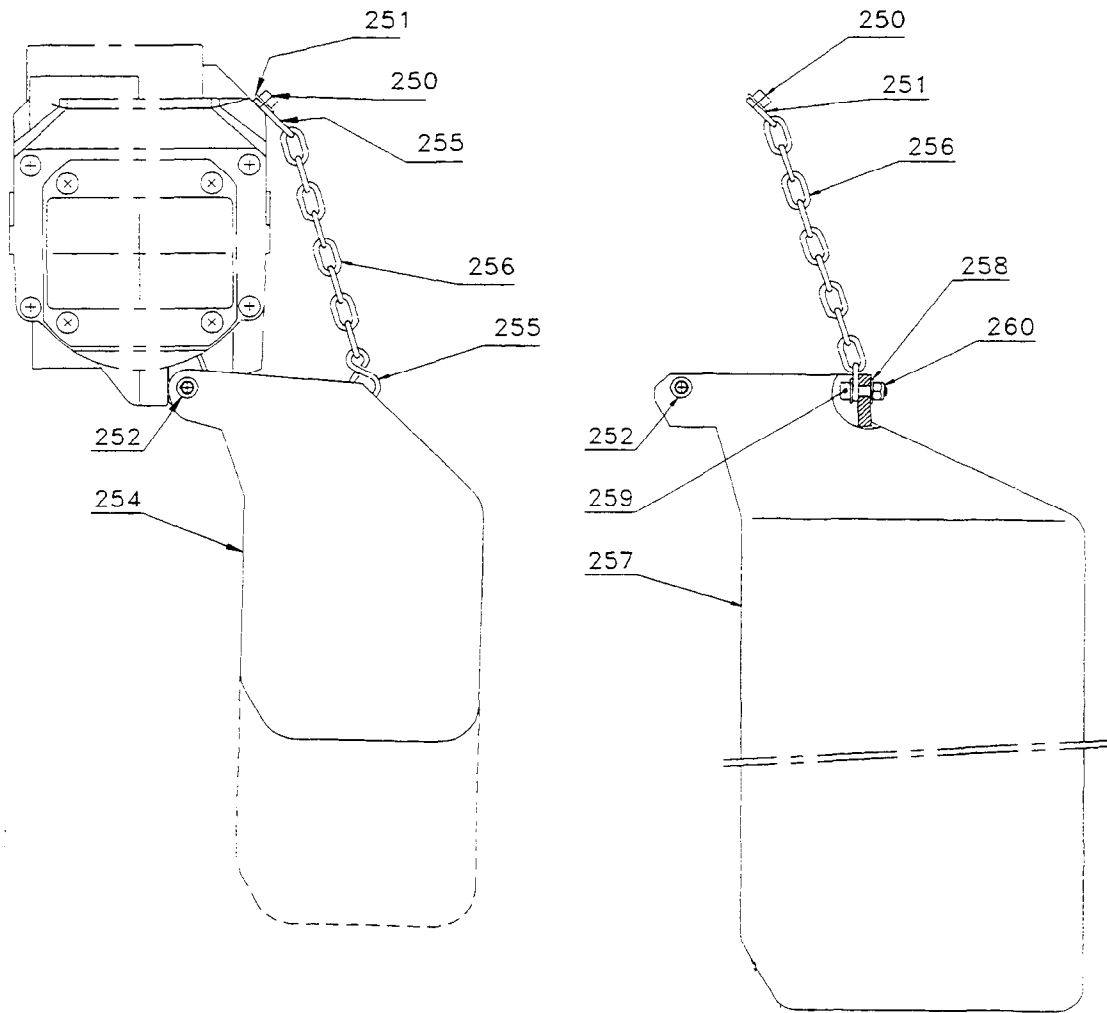
ITEM NO.	DESCRIPTION OF PART	QTY TOTAL	PART NO.
34	Setscrew	1	4200-8307
32	Fitting	5	6165-2632
162	Lifting Eye	1	6422-2332
163	Lever	2	9579-0038
164	Setscrew	2	4200-7407
165	Pin	1	9579-0040
166	Valve Assembly (with 'O' Ring crimped)	2	9579-0036
167	Spring	2	6915-8632
* 168	Quad Ring	2	5823-0229
169	Spool (with 'O' Ring crimped)	2	9579-0035
170	Spring	2	6915-8732
* 171	O' Ring	2	5820-3729
172	Rear Cover	2	9579-0037
173	Retainer Ring	2	4770-3028
180	Pendant With Emergency Stop Assembly (incl's item 32 through 173 and 181 through 189)	1	7579-0071
181	Pendant Handle	1	9579-0095
* 182	O' Ring	3	5820-9229
183	Shuttle Valve Stop	1	9579-0098
184	Ball	1	6940-1625
185	Setscrew	3	4200-8207
186	Spring	3	6911-3941
187	Spool	3	9579-0085
188	Emergency Stop Bottom	1	6859-8632
189	Label Kit	1	9579-0099
* 190	Sticker	1	9618-0098
* 191	Sticker	1	9618-0100
201	Hose	5	-
202	Hose Tie	2/m	-
203	Strain Relief Wire	1	-
204	Sleeve Clamp	1	6112-5032
205	Thimble	1	6932-5332
206	Meter of Control (incl's item 201 through 203)	(*)	3525-0003

* Recommended Spare.

(*) Specify length of control when ordering

* Not Shown on drawing

CHAIN BUCKET ASSEMBLY DRAWING AND PARTS LIST



(Dwg.D6090019)

ITEM NO.	DESCRIPTION OF PART	QTY TOTAL	PART NO.	
			STANDARD	OPTION "R"
250	Screw	1	4130-6706	4132-2606
251	Flat Washer	1	4500-0105	4500-1105
252	Screw	2	4130-0406	4132-2306
253	CB250/1000-6M (incl's item 254 through 256)	1	7609-0018	
	CB250/1000-12M (incl's item 254 through 256)	1	7609-0019	
254	Chain Conteneur for 6 meters of chain	1	9609-0016	
	Chain Conteneur for 12 meters of chain	1	9609-0017	
255	S-Hook	2	9412-0206	
256	Balance Chain	0.117m	6903-3232	
	Balance Chain	0.16m	6903-3232	
257	Chain Conteneur for 24 meters of chain	1	9609-0016	
	Chain Conteneur for 36 meters of chain	1	9609-0017	
258	Flat Washer	2	4500-1105	
259	Screw	1	4132-2606	
260	Locknut	1	4370-7211	
261	CB250/1000-24M (incl's item 256 through 260)	1	7609-0239	
	CB250/1000-36M (incl's item 256 through 260)	1	7609-0142	

HOIST AND WINCH LIMITED WARRANTY

See our general conditions of sales mentioned on our proposal, acknowledgement receipt, invoice.

IR/SAMIIA guarantees the equipment sold and supplied by itself against any defect or flaw in manufacture or operation under the conditions and within the limits hereafter.

- the guarantee is only valid if the customer has satisfied the general obligations of the present contract and, in particular, of settlement.

- the guarantee is strictly limited to IR/SAMIIA equipment. It does not extend to supplies and accessories which are not of its manufacture.

- the guarantee does not extend to assemblies or machines in which IR/SAMIIA equipment is incorporated and in particular to the performances of these assemblies or machines.

- when IR/SAMIIA equipment is incorporated into one or other assembly or machine by the customer, he alone is responsible for the adaptation, the choice and the suitability of the IR/SAMIIA equipment, IR/SAMIIA's diagrams, surveys and layouts being given only for guidance, unless there is a special stipulation in the acceptance of order, defined in the acknowledgment of receipt.

- IR/SAMIIA does not guarantee components and accessories it does not sell.

Defects in fitting, adaptation, design, connection and running of the assembly or part of the assembly put together by the customer are not covered by the guarantee. IR/SAMIIA equipment and material as well as the assemblies or machines set up by the customer or by a third party are assumed to be operated and used under the sole control of the customer or third party.

- The duration of the guarantee is for 6 months from the start up of the equipment by the customer. The start up must be made at the latest three months after dispatch of the equipment or its being made available.

- IR/SAMIIA has the right to demand from its customer proof of the date of start up.

- The guarantee period is reduced to half if the equipment is used day and night.

- The length of guarantee is neither prolonged nor interrupted by either amicable or litigious claims by the customer.

- At the expiry of this period, the guarantee ceases incontestably.

- The obligations of the IR/SAMIIA guarantee will only come into effect if the customer proves that the defect or flaw appeared

during normal operating conditions for this type of material, or in the course of normal use as specified by IR/SAMIIA.

- It does not apply in the event of user's mistake, negligence, imprudence, faulty superintendence or maintenance, inattention to the instructions or directions for use of low quality lubricants. IR/SAMIIA's liability is disclaimed for all damage brought about by loss or leaks of oil.

- No guarantee applies either for fortuitous incidents or force majeure, or for wear, replacements or repairs caused by normal use of the equipment.

- The guarantee is restricted to reconditioning in IR/SAMIIA's premises at its expense and as soon as possible the equipment and parts recognized as faulty by its technical or after sales services, which are sent carriage paid and packing free, without there being any claim for damage arising, such as injury to personnel, damage to property other than that covered by the present contract, loss of possession, of production, commercial detriment or loss of profit.

- During the guarantee period, the cost of labour for dismantling and reassembling equipment outside IR/SAMIIA's premises, the cost of moving faulty, replaced or repaired equipment and the travelling and living expenses of IR/SAMIIA's engineers are covered exclusively by the customer.

- In order to obtain the advantages of the guarantee, the customer must advise IR/SAMIIA without delay and in writing of the defects and flaws in his equipment of which he is complained and furnish proof of their genuine nature. He must give IR/SAMIIA or its agents or technicians every facility to verify the defects or flaws and to put them right.

- The guarantee does not apply if the equipment is returned to IR/SAMIIA in a condition other than in which it broke down or if the seal has been removed, or if it has been dismantled, repaired or modified by a third party, or by the user or the customer.

- After having been duly informed of the defect or flaw in its equipment, IR/SAMIIA will put it right as quickly as possible, reserving the right, in certain cases, to modify the whole or part of the equipment so as to meet its obligations.

- The customer agrees that IR/SAMIIA will not be responsible for damage in the event that the customer has not fulfilled one or other of the obligations set out above.

- Parts replaced free of charge remain the property of IR/SAMIIA.

- The guarantee does not apply to wearing parts.

IMPORTANT NOTICE

It is our policy to promote safe delivery of all orders. This shipment has been thoroughly checked, packed and inspected before leaving our plant and receipt for it in good condition has been received from the carrier. Any loss or damage which occurs to this shipment while enroute is not due to any action or conduct of the manufacturer.

VISIBLE LOSS OR DAMAGE

If any of the goods called for on the bill of lading or express receipt are damaged or the quantity is short, do not accept them until the freight or express agent makes an appropriate notation on your freight bill or express receipt.

CONCEALED LOSS OR DAMAGE

When a shipment has been delivered to you in apparent good

condition, but upon opening the crate or container, loss or damage has taken place while in transit, notify the carrier's agent immediately.

DAMAGE CLAIMS

You must file claims for damage with the carrier; It is the transportation company's responsibility to reimburse you for repair or replacement of goods damaged in shipment. Claims for loss or damage in shipment must not be deducted from the **Ingersoll-Rand** invoice, nor should payment of **Ingersoll-Rand** invoice be withheld awaiting adjustment of such claims as the carrier guarantees safe delivery, You may return products damaged in shipment to us for repair, which services will be for your account and form your basis for claim against the carrier.

United States Office Locations**For Order Entry and Order Status:**

Ingersoll-Rand Distribution Center
 P.O. Box 618
 510 Hester Drive
 White House, TN 37188
 Phone:(615) 672-0321
 Fax: (615) 672-0801

For Technical Support:

Ingersoll-Rand Material Handling
 P.O. Box 24046
 2724 Sixth Avenue South
 Seattle, WA 98124-0046
 Phone:(206) 624-0466
 Fax: (206) 624-6265

Regional Sales Offices

Atlanta, GA
 111 Ingersoll-Rand Drive
 Chamblee, GA 30341
 Phone:(404) 936-6230
 Fax: (404) 936-6204

Detroit, MI
 23192 Commerce Drive
 Farmington Hills,MI
 48335
 Phone:(810) 476-6677
 Fax: (810) 476-6670

Houston, TX
 Suite 150
 2500 East T.C. Jester
 Houston, TX 77008
 Phone:(713) 864-3700
 Fax: (713) 864-2244

Los Angeles, CA
 11909 E. Telegraph Road
 P.O. Box 2525
 Santa Fe Springs,
 CA 900670
 Phone:(310) 948-4189
 Fax: (310) 948-1828

Milwaukee, WI
 12311 W. Silver Sping
 Dr.
 Milwaukee, WI 53225
 Phone:(414) 461-0973

Philadelphia, PA
 P.O. Box 425
 900E. 8th Ave., Suite 103
 King of Prussia, PA
 19406
 Phone:(610) 337-5930
 Fax: (610) 337-5912

International

Offices and distributors in principal cities throughout the world. Contact the nearest **Ingersoll-Rand** office for the name and address of the distributor in your country or write/fax to:

Canada National Sales Office Regional Warehouse Toronto, Ontario
 51 Worcester Road
 Rexdale, Ontario
 M9W 4K2
 Phone:(416) 675-5611
 Fax: (416) 675-6920
 Order Desk
 Fax: (416) 674-6549

Regional Sales Offices

Calgary, Alberta
 44 Harley Road S.E.
 Calgary, Alberta
 T2V 3K3
 Phone:(403) 252-4180
 Fax: (403) 252-4462

Edmonton, Alberta
 1340 Weber Center
 5555 Calgary Trail N.W.
 Edmonton, Alberta
 T6H 5G8
 Phone:(403) 438-5039
 Fax: (403) 437-3145

Montreal, Quebec
 3501 St. Charles Blvd.
 Kirkland, Quebec
 H9H 4S3
 Phone:(514) 695-9040
 Fax: (514) 695-0963

British Columbia
 201-6351 Westminster
 Hwy
 Richmond, B.C.
 V7C 5C7
 Phone:(604) 278-0459
 Fax: (604) 278-1254

Latin America Operations Ingersoll-Rand Production Equipment Group
 730 N.W. 107 Avenue
 Suite 300, Miami, FL
 33172-3107
 Phone:(305) 559-0500
 Fax: (305) 559-7505

Europe, Middle East and Africa Ingersoll-Rand Equipements de Production S.A.
 111, avenue Roger
 Salengro
 59450 Sin le Noble,
 France
 Phone:(33)27.93.08.08
 Fax: (33)27.93.08.00

Asia - Pacific Operations Ingersoll-Rand (Japan) Ltd
 Kowa Bldg. No. 17
 2-7 Nishi-Azabu 1-chome
 Minato-ku, Tokyo 106,
 Japan
 Phone:(03)3403-0641/7
 Fax: 81 3 3401-2049

Russia Ingersoll-Rand Company
 World Trade Center
 Office 1101
 Krasnopresnenskaya
 Nab.12
 Moscow, Russia 123610